

GENERAL

The Badger Meter Oval Gear Meter, Model OG, is a modular flow meter design. It is economical, highly accurate, lightweight, and rugged.

The electronic register module contains a microprocessor board powered by a lithium battery with an expected life of 3 to 5 years depending on use. It can be programmed to batch in pints, quarts, liters, or gallons and will totalize in liters or gallons. A calibration factor and unit of measure are programmed during factory test. Unlike mechanical registers, these units can be electronically recalibrated in the field when necessary. A 5-digit liquid crystal display, accurate to the second decimal place, shows the exact amount of fluid that has passed through the meter. The entire register module is protected from normal wear and tear by a rugged, shock resistant housing.

OPERATION

As fluid passes through the metering chamber by entering the inlet port, it forces the internal gears to rotate and exits through the outlet port. Each rotation of the gear displaces a given volume of fluid. Controlled clearances between the gears and chamber wall provide high accuracy. As the gears rotate, a magnet on each end of the gear activates the microprocessor in the register.

Depressing the RESET button before each use resets the totalizer to zero. The total amount of fluid dispensed from inventory can be checked periodically by depressing the TOTAL button. If the units dispensed are pints, quarts, or gallons, the totalizer will read in gallons. If the units dispensed are liters, the totalizer will read in liters.

Changing Unit of Measure

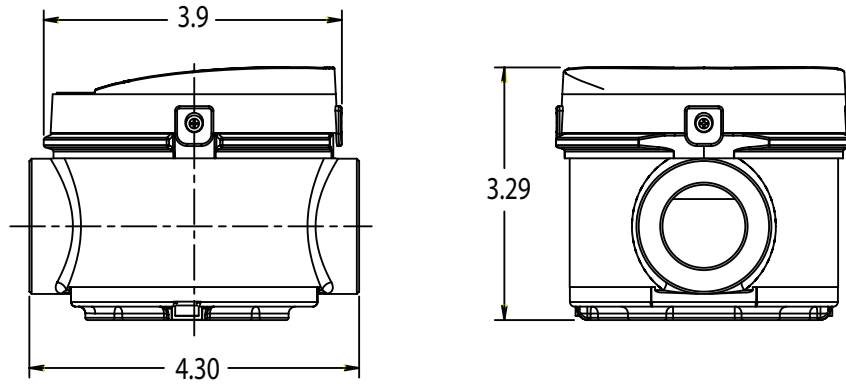
The unit of measure can be changed using the Total and Reset buttons on the front of the meter. To change the unit of measure, press and release the Total button 3 times and then press and release the Reset button 3 times. Then wait 2 seconds and the unit of measure will flash. Push the Reset button to select the desired unit of measure. To save the unit of measure, push the Total button and the display will flash 3 times and then go blank, the new unit of measure setting has now been saved. Push the Reset button to bring the display back on.

**FEATURES**

- Temperature Range -4° to 140°F
- 1" threads (NPT or BSP Available)
- Compact Foot Print
- Oval Gear Driven Meter
- Large LCD Display with Two Decimal Point Precision
- Dispenses in Pints, Quarts, Liters, or Gallons
- Totalization in Gallons or Liters
- Accuracy to $\pm 0.5\%$
- Push Button Calibration
- Low Battery Indicator
- Field Replaceable Battery
- Scale Factor Saved in Non-Volatile Memory
- Total Dispense Saved in Non-Volatile Memory



Dimensional Drawing

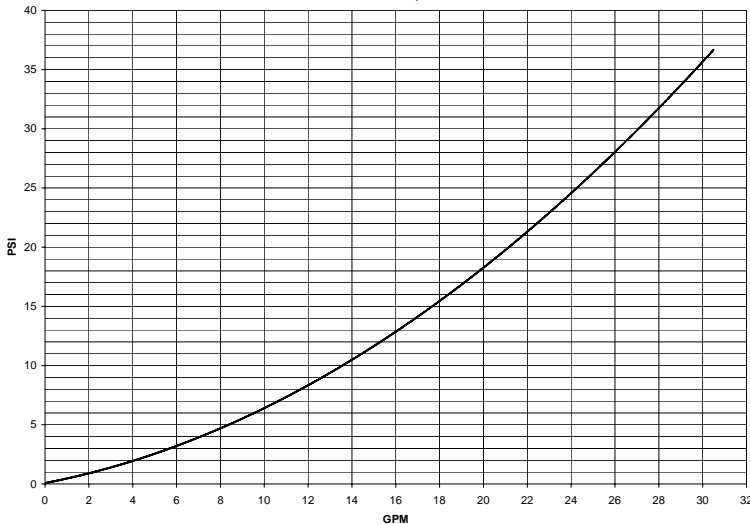


SPECIFICATIONS

	OG Meter	
	English	Metric
Maximum Flow *	30 gpm	115 liters/minute
Minimum Flow *	0.80 gpm	3.0 liters/minute
Operating Pressure (Maximum)	1500 psi	103 bar
Operating Pressure (Minimum)	5 psi	.35 bar
Operating Temperature (Maximum)	140° F	60° C
Operating Temperature (Minimum)	-4° F	-20° C
Accuracy	+/- 0.5%	+/-0.5%
Weight, Less Handle	1.8 lbs.	0.82 kg
Inlet & Outlet Connections	1" NPTF	1" BSPP

* Tested with Mobil DTE-25 motor oil at ambient temperature. Min. Max. flow rates will vary with fluid viscosity.

1" High Flow Oval Gear Meter
Pressure Drop



MATERIALS OF CONSTRUCTION

Meter Housing/Cover	Aluminum
Gear	Delrin®
Register Housing	Glass filled Nylon
Seal Material	Buna

Delrin® is a registered trademark of E.I. DuPont de Nemours and Company.

Please ensure that the fluid is properly filtered before entering meter.
Foreign particles will cause inaccuracy as well as malfunction of meter.



Please see our website at
www.badgermeter.com
for specific regions and contacts.

Due to continuous research, product improvements and enhancements, Badger Meter reserves the right to change product or system specifications without notice, except to the extent an outstanding contractual obligation exists.



BadgerMeter, Inc.

P.O. Box 245036, Milwaukee, WI 53224-9536
Telephone: (414) 355-0400 / (877) 243-1010
Fax: (414) 355-7499 / (866) 613-9305
www.badgermeter.com