

GENERAL

The Badger Meter Oval Gear Meter, Model OG, is a modular flow meter design. It is economical, highly accurate, lightweight, and rugged.

The electronic register module contains a microprocessor board powered by a lithium battery with an expected life of 3 to 5 years depending on use. It can be programmed to batch in pints, quarts, liters, or gallons and will totalize in liters or gallons. A calibration factor and unit of measure are programmed during factory test. Unlike mechanical registers, these units can be electronically recalibrated in the field when necessary. A 6-digit liquid crystal display, accurate to the second decimal place, shows the exact amount of fluid that has passed through the meter. The entire register module is protected from normal wear and tear by a rugged, shock resistant housing.

OPERATION

As fluid passes through the metering chamber by entering the inlet port, it forces the internal gears to rotate and exits through the outlet port. Each rotation of the gear displaces a given volume of fluid. Controlled clearances between the gears and chamber wall provide high accuracy. As the gears rotate, a magnet on each end of the gear activates the microprocessor in the register.

Depressing the RESET button before each use resets the totalizer to zero. If the units dispensed are pints, quarts, or gallons, the totalizer will read in gallons. If the units dispensed are liters, the totalizer will read in liters.

TO CHANGE UNIT OF MEASURE

1. Press the TOTAL button three times followed by the RESET button three times in a time frame of under 2 seconds. The active unit of measure symbol will flash when you have entered programming mode.
2. Toggle the RESET button until desired unit of measure appears flashing on the display.
3. When finished press and hold the RESET and TOTAL buttons simultaneously for 3 seconds to exit programming mode.

The display will flash three times and then go blank to indicate the changes have been saved.

NOTE: Changing any unit of measure will reset the non-resettable and resettable totalizers.

PROGRAM SCALE FACTOR

1. Press the TOTAL button three times followed by the RESET button three times in a time frame of under 2 seconds. The active unit of measure symbol will flash when you have entered programming mode



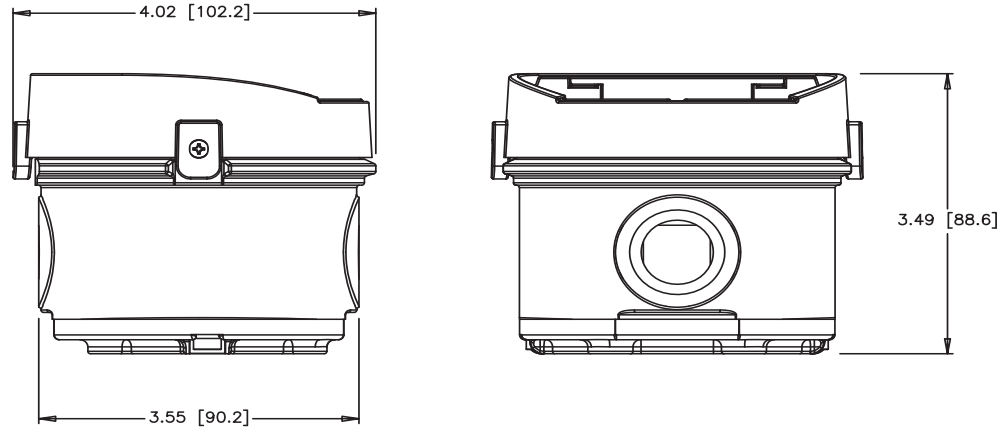
2. Press the TOTAL button to advance to the first digit of the scale factor.
3. The selected digit will blink and pushing the RESET button will change the value.
4. When you have selected the proper value then push the TOTAL button to move to the next digit.
5. Continue this process until the correction factor has been entered.
6. When finished press and hold the RESET and TOTAL buttons simultaneously for 3 seconds to exit programming mode.

The display will flash three times and then go blank to indicate the changes have been saved.

FEATURES

- 1500 PSI Pressure Rating
- NPT and BSP Threads available
- Large Six Digit LCD Display with two decimal point precision
- Dispense Total Display in Pints, Quarts, Gallons or Liters
- Unit of measure selectable from the front of register
- Totalization in Gallons and Liters
- Resettable & Non Resettable Totalizer
- Display Operation Temperature Range -4F to 140F
- Low Battery Indicator
- Long life Field replaceable Top load battery
- Accuracy of (+-) 0.5%
- Calibration factor programmable from front of register
- Calibration Factor saved in non-volatile memory
- Humidity and Moisture Resistant Electronic Register

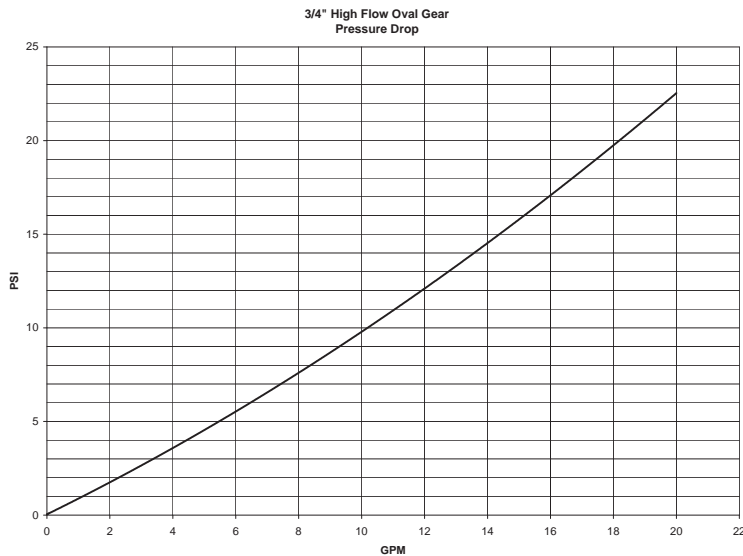
Dimensional Drawing



SPECIFICATIONS

	OG Meter	
	English	Metric
Maximum Flow *	20 gpm	80 liters/minute
Minimum Flow *	0.80 gpm	3.0 liters/minute
Operating Pressure (Maximum)	1500 psi	103 bar
Operating Pressure (Minimum)	5 psi	.35 bar
Operating Temperature (Maximum)	140° F	60° C
Operating Temperature (Minimum)	-4° F	-20° C
Accuracy	+/- 0.5%	+/-0.5%
Weight, Less Handle	1.8 lbs.	0.82 kg
5- Digit LCD Display, 5/16" High (8 mm)	Pints-Quarts-Gallons	Liters
Inlet & Outlet Connections	3/4" NPTF	3/4" BSPP

* Tested with Mobil DTE-25 motor oil at ambient temperature. Min. Max. flow rates will vary with fluid viscosity.



MATERIALS OF CONSTRUCTION (two models to choose from)

- Meter Housing/Cover** - Aluminum
- Gear** - LCP (Liquid Crystal Polymer)
- Register Housing** - Glass filled Nylon
- Seal Material** - Buna

- Meter Housing/Cover** - Cast Aluminum with hardcoat black anodized per Mil 8625 III Class 2
- Gear** - LCP (Liquid Crystal Polymer)
- Register Housing** - Glass filled Nylon
- Seal Material** - AFLAS

Please ensure that the fluid is properly filtered before entering meter. Foreign particles will cause inaccuracy as well as malfunction of meter.

AFLAS® is a registered trademark of Asahi Glass Co., Ltd.



Please see our website at www.badgermeter.com for specific regions and contacts.

Due to continuous research, product improvements and enhancements, Badger Meter reserves the right to change product or system specifications without notice, except to the extent an outstanding contractual obligation exists.



BadgerMeter, Inc.
 P.O. Box 245036, Milwaukee, WI 53224-9536
 Telephone: (414) 355-0400 / (877) 243-1010
 Fax: (414) 355-7499 / (866) 613-9305
www.badgermeter.com